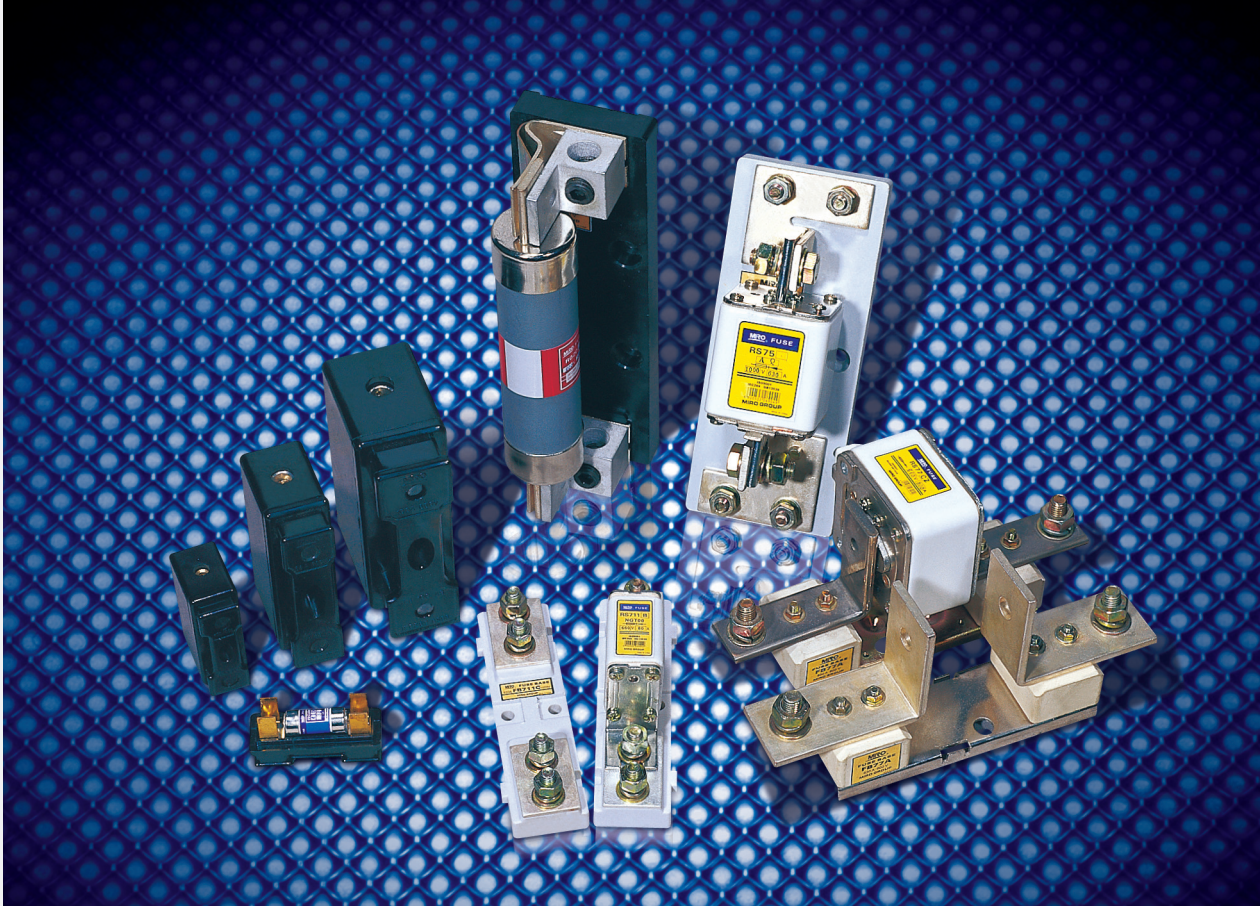


Special Fuse Bases/holders



► Applications

Supporters for bolting fuses in electric lines are capable of working under the heat caused by rated current and prospective short-circuit impacting current up to 100KA.

Rated insulation voltage up to 1000V; Working frequency 50Hz AC; Rated current up to 630A. Compliant with GB13539 and IEC269 .

► Design Features

There are two kinds of structures for this type of fuse bases: One is made up with fuse carrier, supporter/base (Figure 12.1). The bolting fuse link is installed to the carrier, then it is inserted to static contacts of the supporter/base. There is no carrier for the other structure, where the bolting fuse is directly installed to the static contacts of the supporter/base. The company can also produce other non-standard bases at the customers' requirements.

► Basic Data

The models, rated insulation voltage, conventional free air thermal current, and dimensions are shown in Figures 12.1~12.6 and Table 12.

Table 12

Cat. No.	Models	Fuse link Size	Rated insulation voltage(V)	Conventional free air thermal current(A)	Dimensions (mm)									Weight (g)
					Fig.	A1	A2	A3	B1	B2	H1	H2	φd	
1201	RG0K	RG0K	660	32	12.1	34	0	68	0	26	34	49	5	92
1202	RG2	RG2 RGS2	660	100	12.1	51	6.5	105	13	35	44	66	5.5	264
1203	RG7	RG4 RGS7	660	150	12.1	61	7	129	19	50	62	94	7.5	679

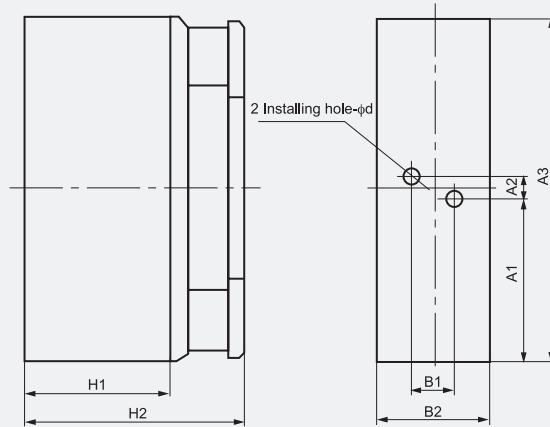


Figure 12.1



Low-Vltage Fuses
Fuse Bases

Table 12 (cont.)

Cat. No.	Models	Fuse link Size	Rated insulation voltage(V)	Conventional free air thermal current(A)	Dimensions (mm)		Weight (g)	
					Fig.	A1		B1
1204	FB77	RS77 RS77B RS77C RS84	660	630	12.2	221	40	985
1205	FB77A	RS77A RS82 RS79A RS83	660	630	12.2	214	30	905

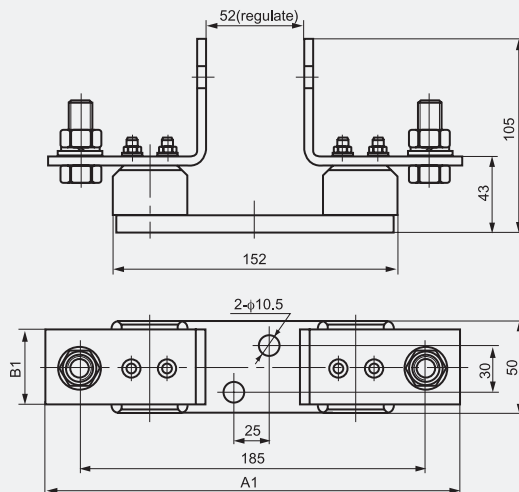


Figure 12.2

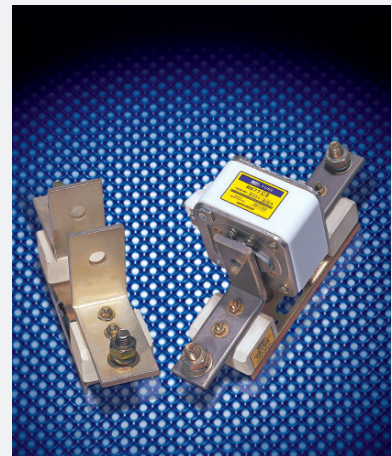


Table 12 (cont.)

Cat. No.	Models	Fuse link Size	Rated insulation voltage(V)	Conventional free air thermal current(A)	Dimensions (mm) Fig.	Weight (g)
1206	FB711C	RSO RGS30A RSO-250V RGS-30B RS711B RS711C NGT00	800	200	See figure 12.3	182

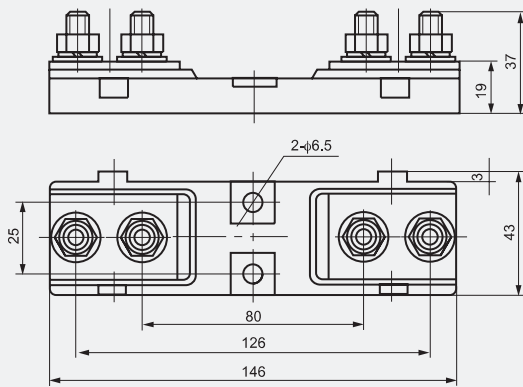


Figure 12.3



Table 12 (cont.)

Cat. No.	Models	Fuse link Size	Rated insulation voltage(V)	Conventional free air thermal current(A)	Dimensions (mm) Fig.	Weight (g)
1207	FB73B	NGT1-3 RS73B RS75A RS75B	1000	630	See figure 12.4	826

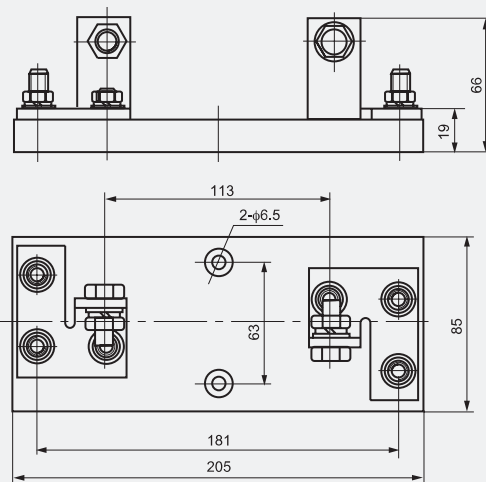


Figure 12.4



Table 12 (cont.)

Cat. No.	Models	Fuse link Size	Rated insulation voltage(V)	Conventional free air thermal current(A)	Dimensions (mm) Fig.	Weight (g)
1208	FB20C	RO20C	600	200	See figure 12.5	632

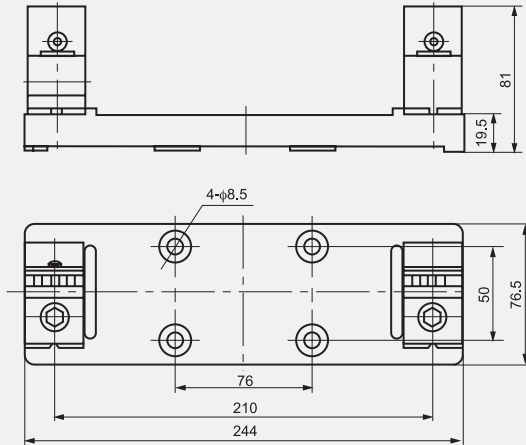
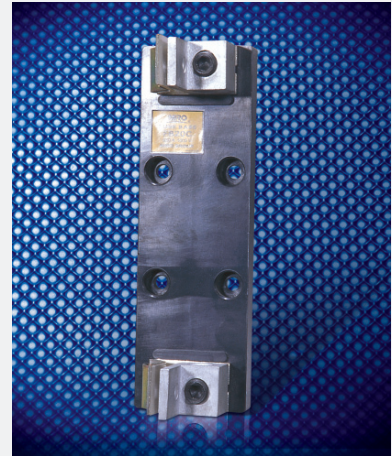


Figure 12.5



Low-Vltage Fuses
 Fuse Bases

Table 12 (cont.)

Cat. No.	Models	Fuse link Size	Rated insulation voltage(V)	Conventional free air thermal current(A)	Dimensions (mm) Fig.	Weight (g)
1209	NT00S-3J	-	660	160	See figure 12.6	845

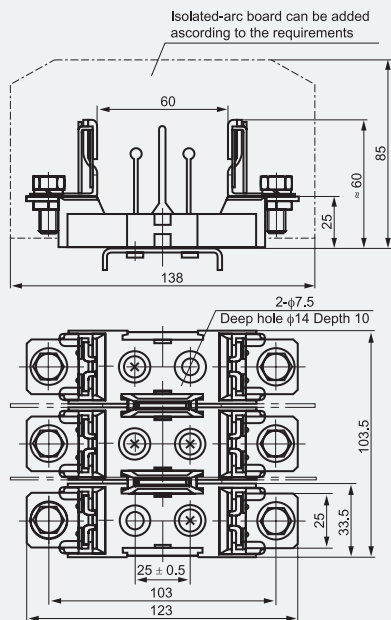


Figure 12.6

